



INTUS

W I N D O W S

2720 PROSPERITY AVE, SUITE 400-1
FAIRFAX, VA 22031
OFFICE: 1.888.380.9940
EMAIL: INFO@INTUSWINDOWS.COM
WEB: WWW.INTUSWINDOWS.COM

WEEP HOLE COVER SPECIFICATIONS

Dimensions

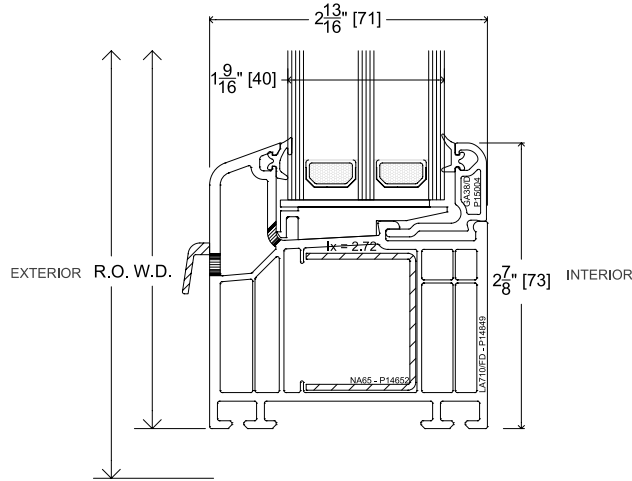
- Width: 1 ³/₈ in. (35 mm)
- Height: ¹⁹/₃₂ in. (15 mm)

Available Colors

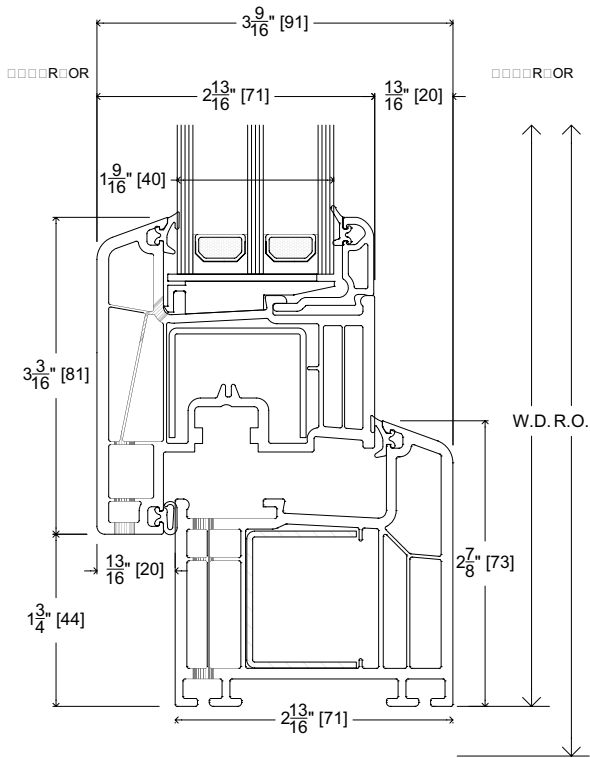
- White
- Black
- Grey
- Anthracite Grey
- Light Brown
- Dark Brown



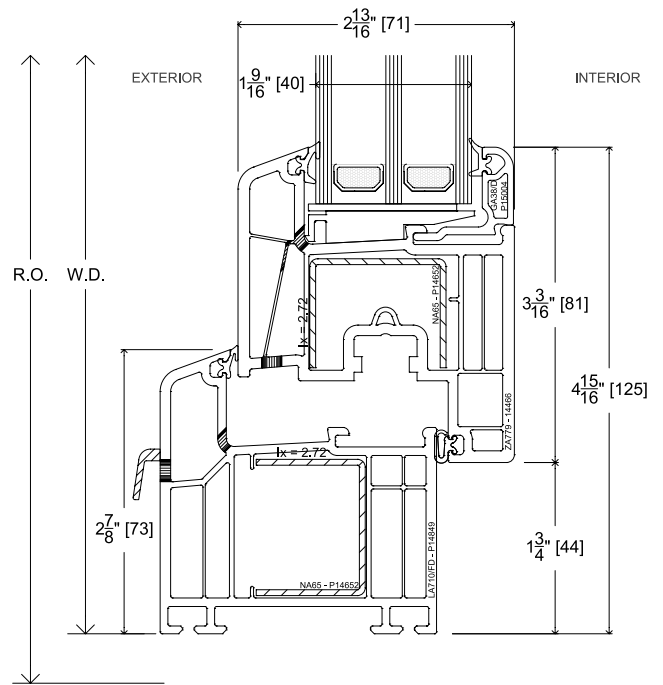
Possible Locations



DET. 1 SILL PROFILE - FIXED WINDOW TRIPLE GLAZED



DET. 2 OUT-SWING WINDOW SECTION PROFILE @ SILL



DET. 3 SILL PROFILE - OPERABLE WINDOW TRIPLE GLAZED