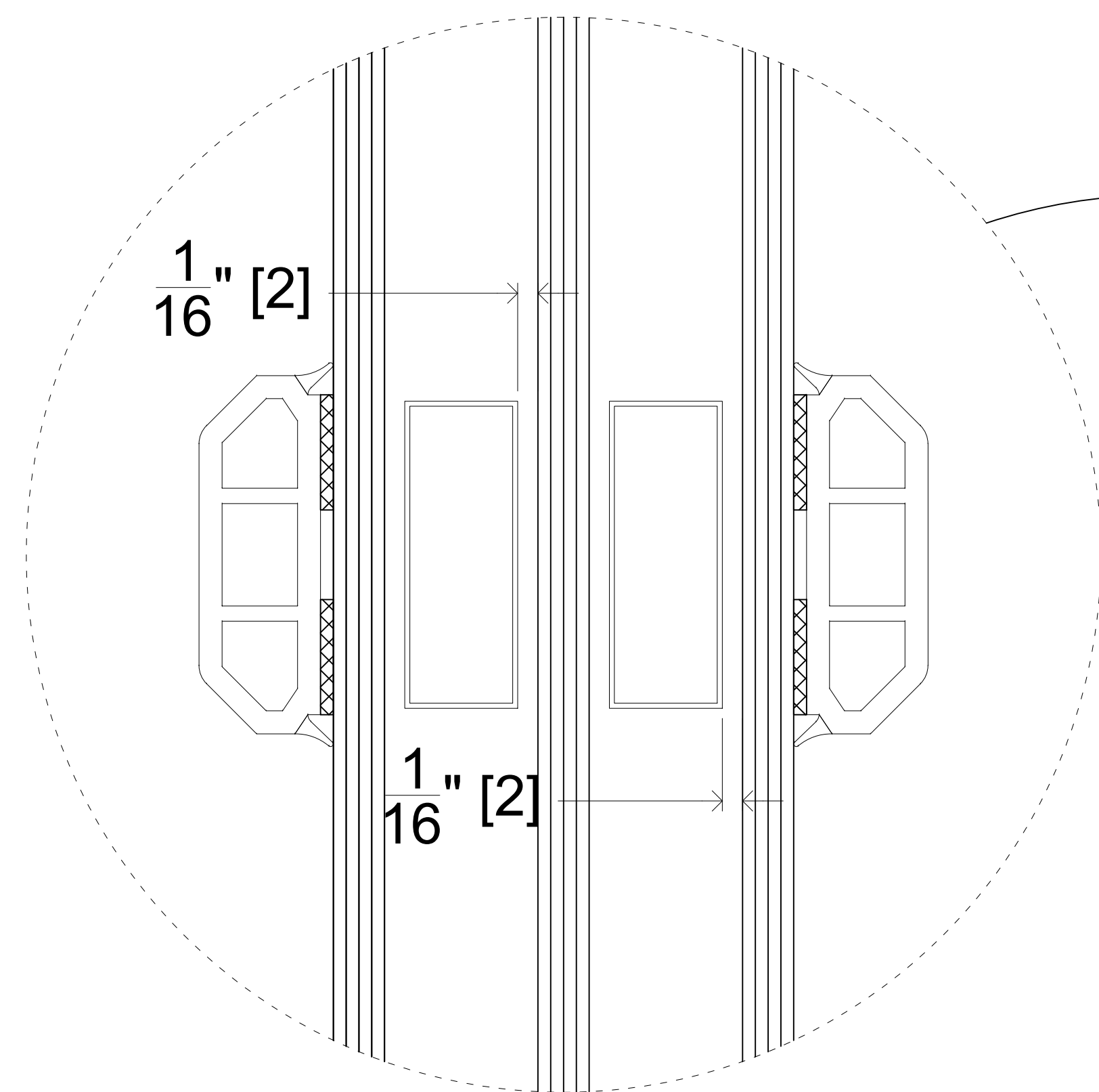


ARCADE SYSTEM

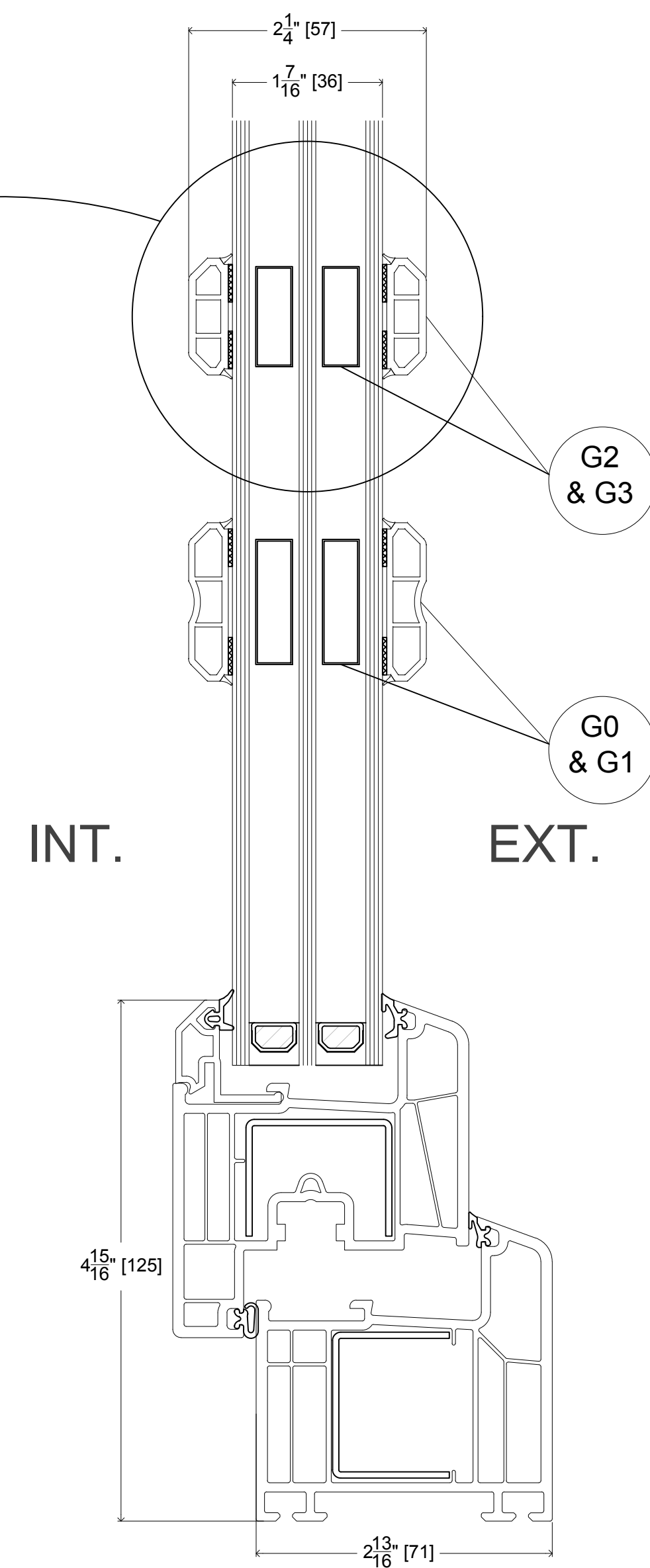
WINDOW GRID OPTIONS

*** MAX. ARCADE IG UNIT
WIDTH WITH DECORATIVE
GRID OPTIONS #1 AND #2
IS 1 7/16" [36MM]

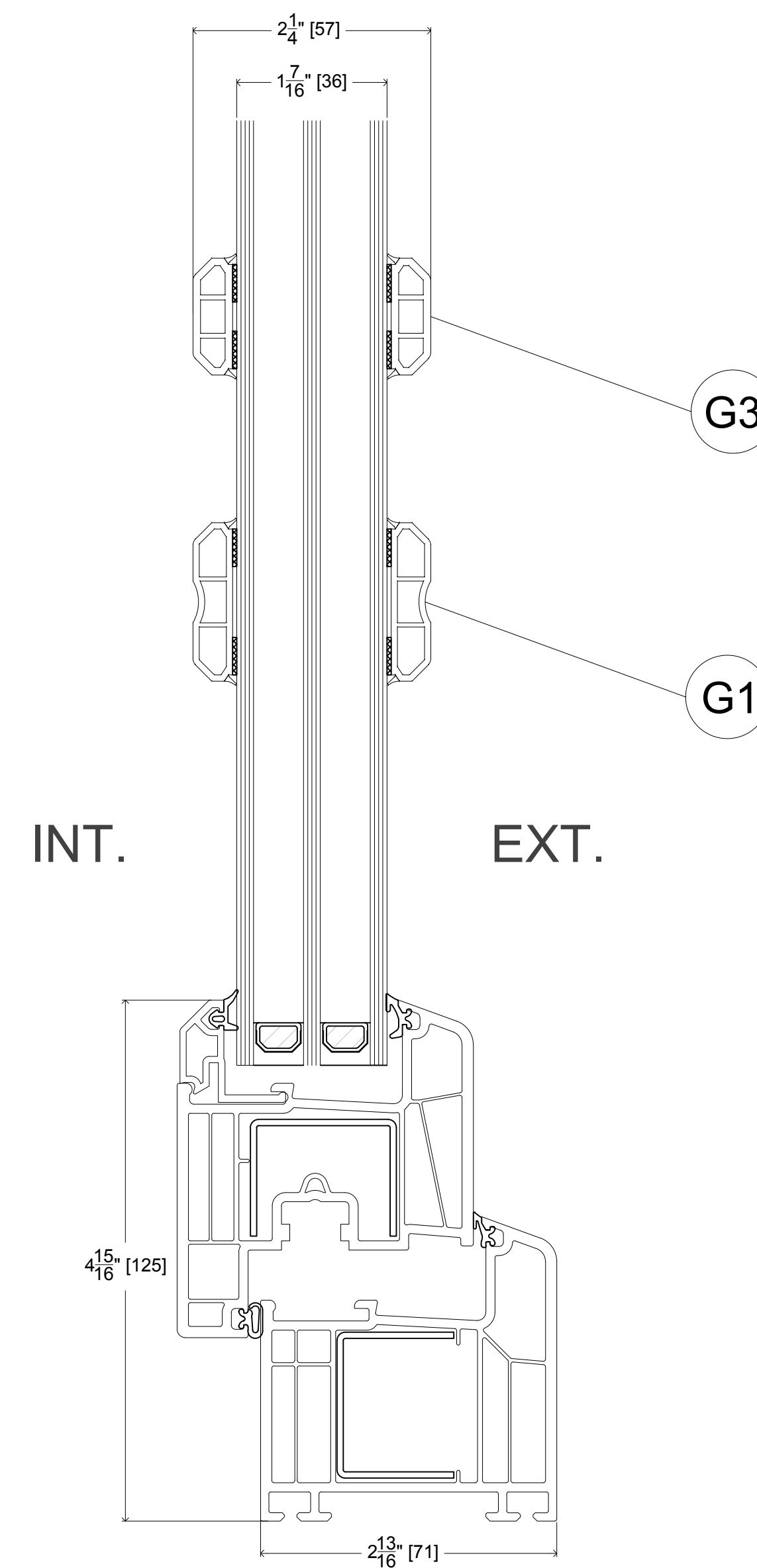
GENERAL SPECIFICATIONS



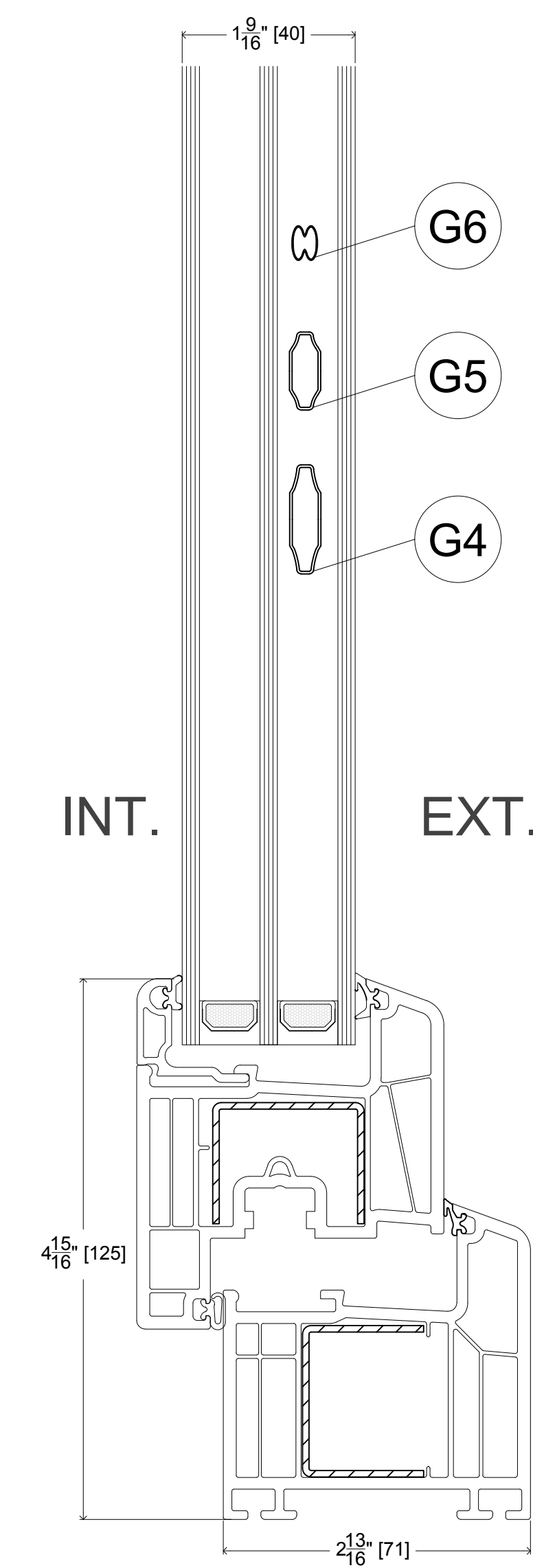
FROM GLASS TO DUPLEX SPACER
MIN GAP OF 1mm AND MAX GAP OF 3mm
SCALE: 30" = 1'-0"



1. SIMULATED DIVIDED LITES WITH SPACERS



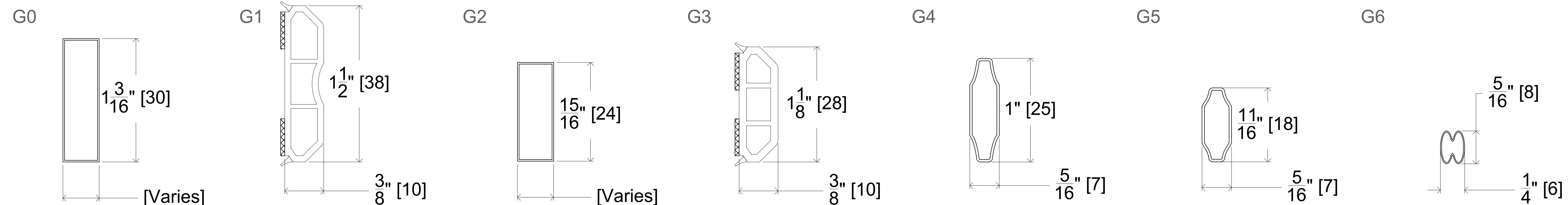
2. STUCK-ON GRIDS



3. GRIDS IN PANE

SCALE: 10" = 1'-0"

WINDOW GRID DETAILS



SCALE: 2'-0"=1'-0"

WINDOW GRID SPECIFICATIONS

GRID OPTIONS 1 & 3
AVAILABLE IN ALL LAMINATE COLORS:
MATCHED LAMINATES TO INTERIOR OR EXTERIOR

GRID OPTIONS 4 & 5
AVAILABLE IN THESE COLORS:
WHITE / WHITE
WHITE / LAMINATE
WHITE / RAL
LAMINATE / LAMINATE *
RAL / RAL *

GRID OPTION 6
AVAILABLE IN COLOR GOLD ONLY

*MUST BE THE SAME LAMINATE OR RAL COLOR

IMPORTANT INFORMATION

ALL WINDOW ELEVATIONS REPRESENT
OUTSIDE VIEW.

DRAWING INFORMATION

Project Manager: _____ Page: _____

Date: _____
October, 2016

Scale: _____

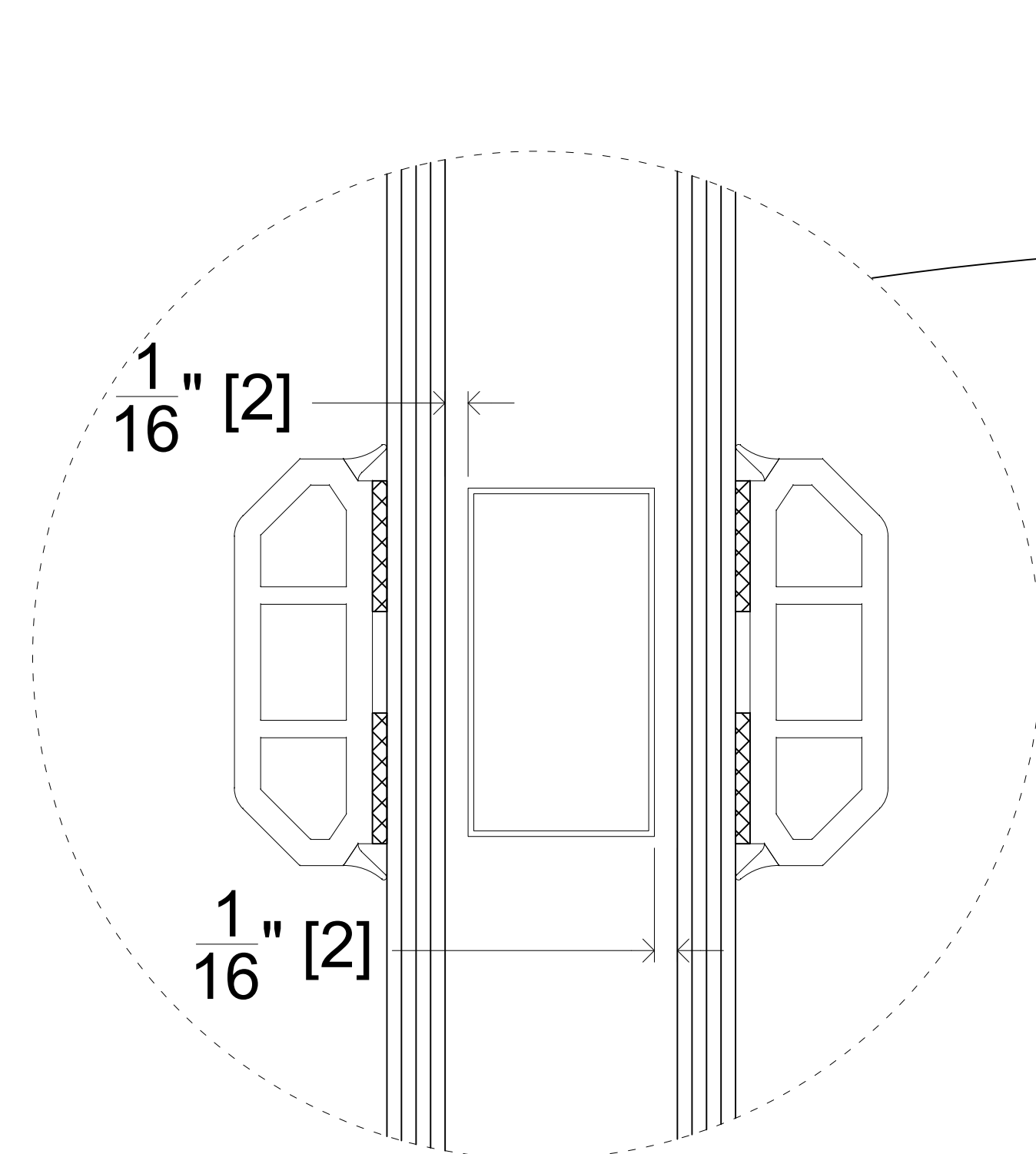
Revised by: _____

ARCADE SYSTEM

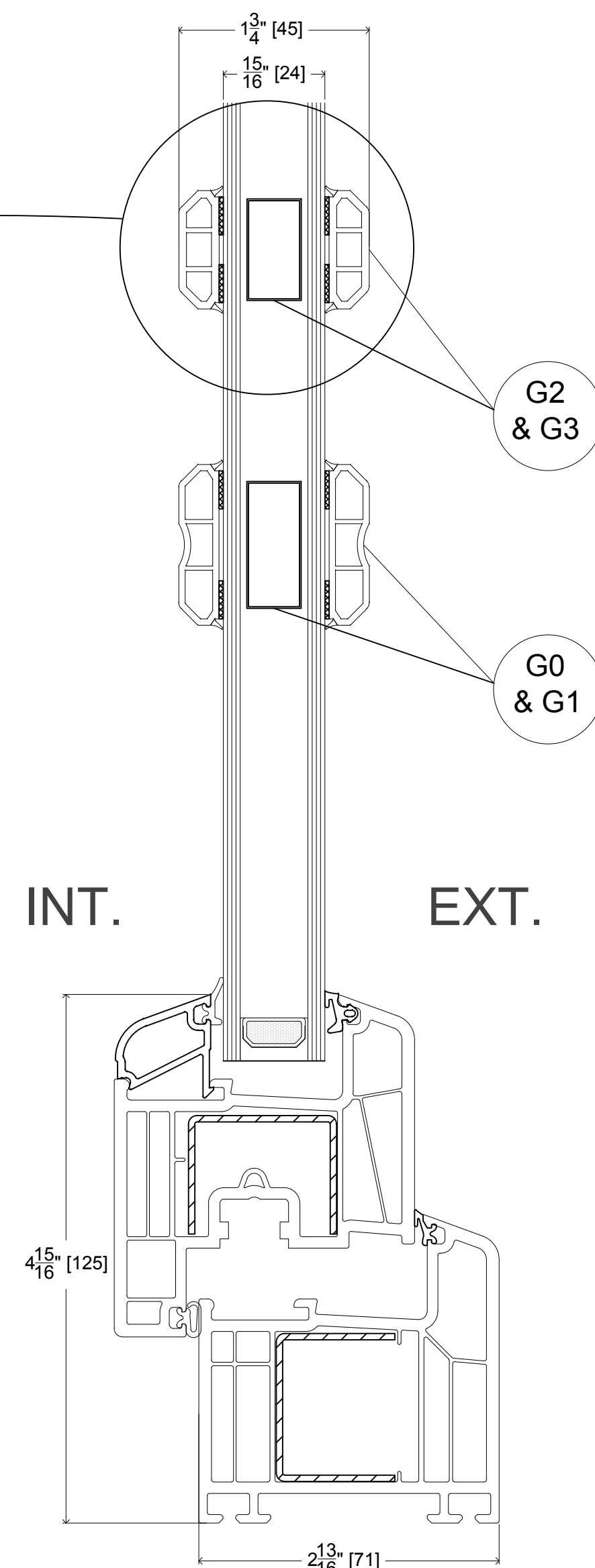
WINDOW GRID OPTIONS

*** MAX. ARCADE IG UNIT
WIDTH WITH DECORATIVE
GRID OPTIONS #1 AND #2
IS 1 $\frac{7}{16}$ " [36MM]

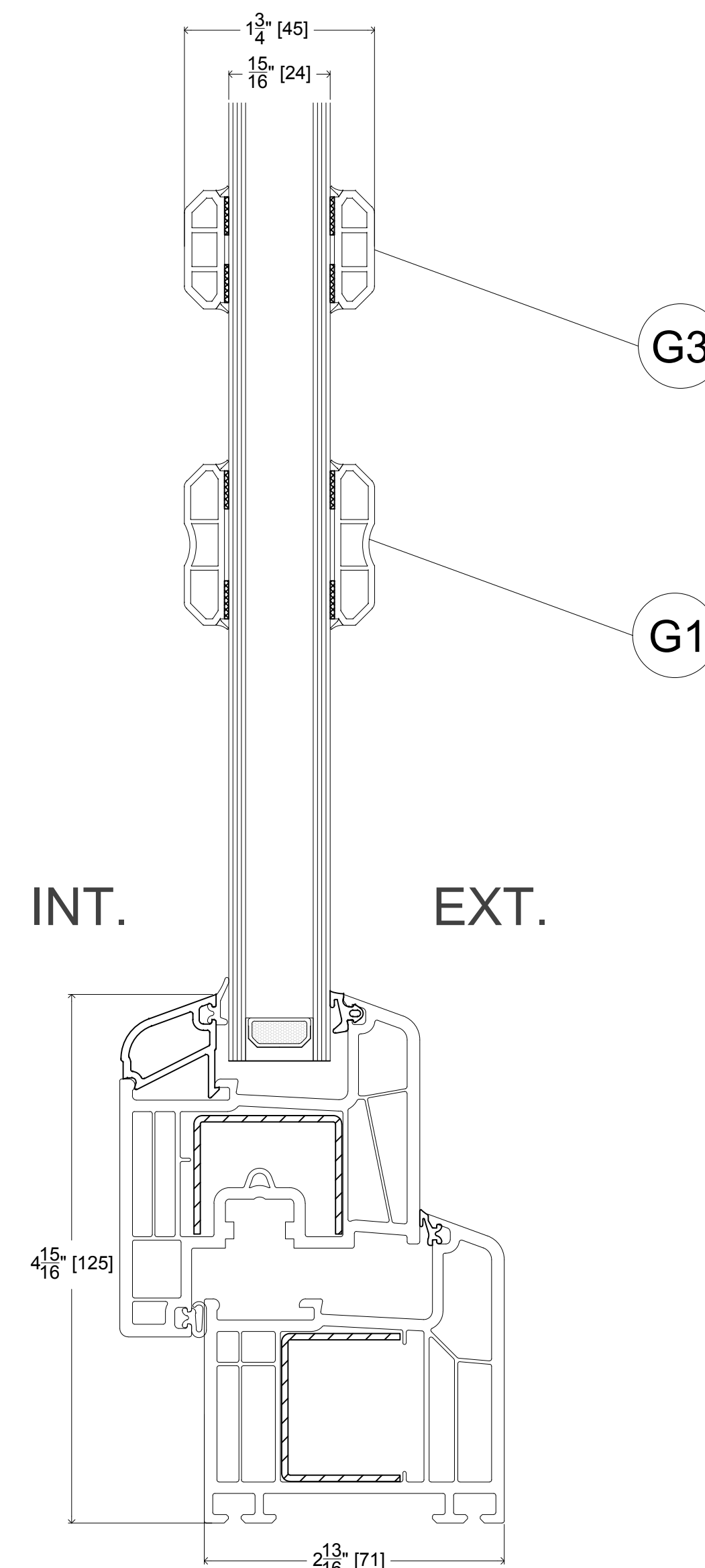
GENERAL SPECIFICATIONS



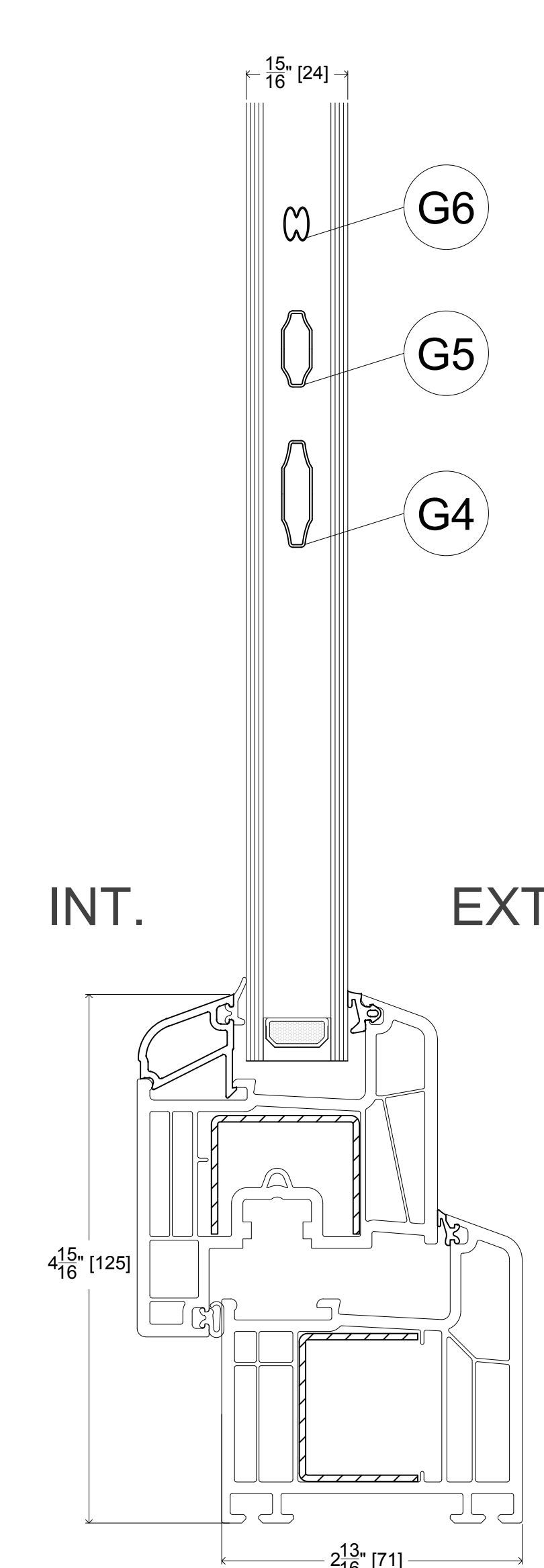
FROM GLASS TO DUPLEX SPACER
MIN GAP OF 1mm AND MAX GAP OF 3mm
SCALE: 30" = 1'-0"



1. SIMULATED DIVIDED LITES WITH SPACERS



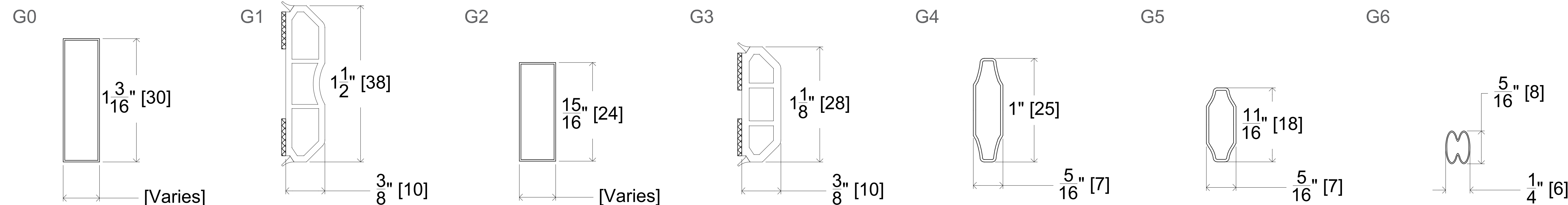
2. STUCK-ON GRIDS



3. GRIDS IN PANE

SCALE: 10" = 1'-0"

WINDOW GRID DETAILS



SCALE: 2'-0"=1'-0"

WINDOW GRID SPECIFICATIONS

GRID OPTIONS 1 & 3
AVAILABLE IN ALL LAMINATE COLORS:
MATCHED LAMINATES TO INTERIOR OR EXTERIOR

GRID OPTIONS 4 & 5
AVAILABLE IN THESE COLORS:
WHITE / WHITE
WHITE / LAMINATE
WHITE / RAL
LAMINATE / LAMINATE *
RAL / RAL *

GRID OPTION 6
AVAILABLE IN COLOR GOLD ONLY

*MUST BE THE SAME LAMINATE OR RAL COLOR

IMPORTANT INFORMATION

ALL WINDOW ELEVATIONS REPRESENT
OUTSIDE VIEW.

DRAWING INFORMATION

Project Manager: _____ Page: _____
Date: _____
October, 2016
Scale: _____
Revised by: _____